

BEST CONTACTS FOR YOUR SUCCESS



Telegärtner

KARL GÄRTNER GMBH

NETWORKING COMPONENTS

COAXIAL CONNECTORS

CABLE ASSEMBLIES

PRECISION TURNED PARTS

PLASTIC INJECTION MOULD PARTS

INDUSTRIAL ELECTRONICS

Unlimited Possibilities in Fiber Optic Cabling



IP54

LWL

FTTx

DataVoice

ODB 54

Optical Distribution Box IP54

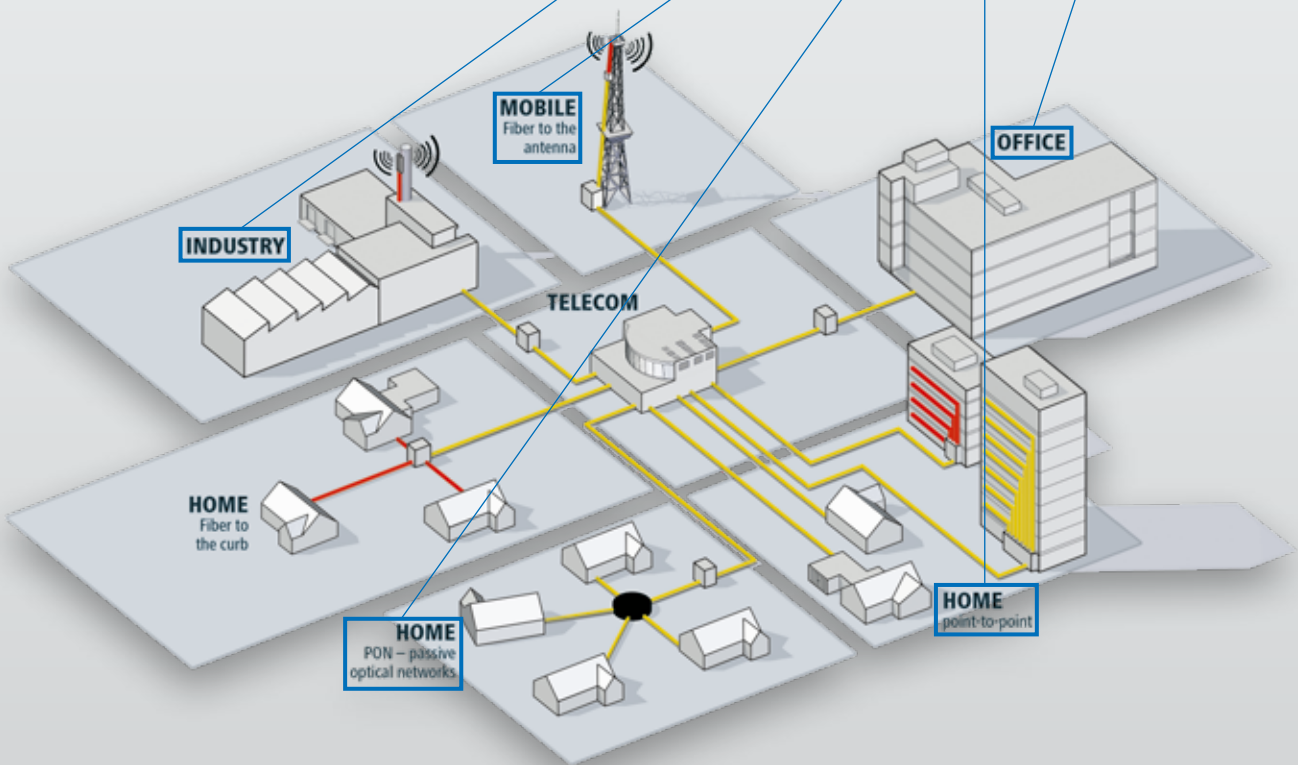
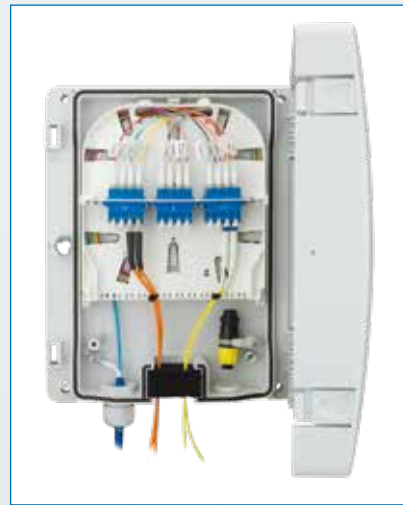
Less Fuss. More Flexibility. Universal Application.

Wherever glass fiber connections have to be installed in a harsh environment - in offices, industry or Fiber-to-the-Building/-home customer access networks - high demands are made on the value and flexibility of the distributor housing and easy access whilst installation and maintenance. The Telegärtner ODB 54 wall distributor enables you to solve various installation demands with one product. Whether it will be used as splice storage or as distributor housing, there is enough space in the

rugged plastic ODB 54 housing for accommodating up to 24 glass fiber ports. For application-specific requirements in which optical function elements such as PLC/FBT couplers or xWDM solutions also have to be installed in the glass fiber line, these can be fixed in a specially designed folding cassette. Up to 24 cables can be installed in the IP54-protected patch cable input and output quickly, easily and flexibly later without impairing the optical function of those which already exist.

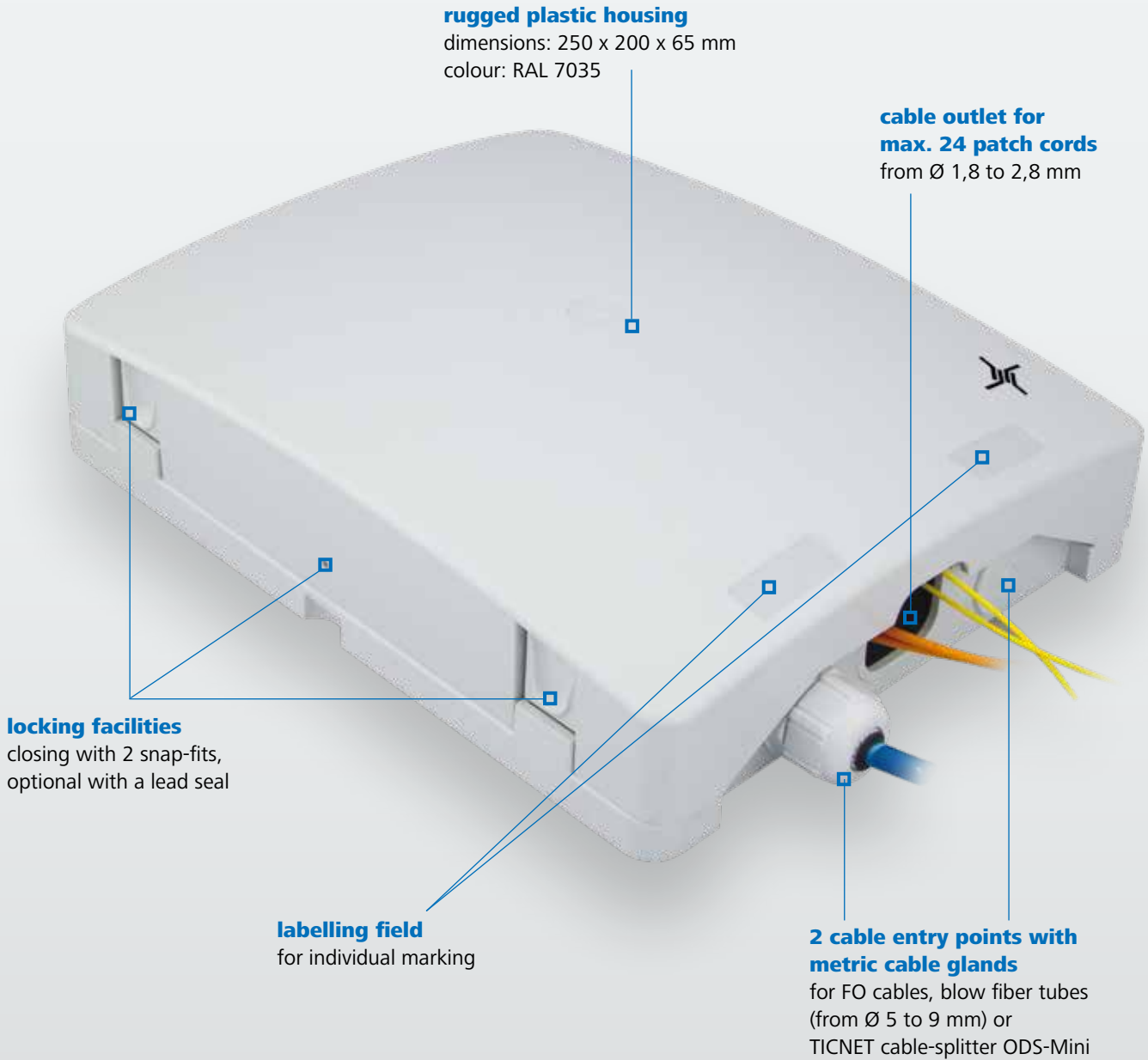
Types of Applications

In Fiber-to-the-Building/-Home Networks, the glass fibers have to be terminated and protected in the customer access area. There is also a demand for the use of different connectors and adaptors or xWDM solutions depending on the customer request. The Telegärtner ODB 54 wall distributor easily meets these requirements.



ODB 54

quick - flexible - universal



Technical Data:

- protection class acc. to IEC 60529: IP54
- material: PC, IK 04
- dimensions: 250 x 200 x 65 mm
- colour: light grey, RAL 7035
- distribution plate: aluminium sheet 1.5 mm, anodized
- cable entry points: 2x M20 cable glands for cable with Ø 5 - 9 mm
- cable outlet: flexible, easy to install seal for up to max. 24 patch cords with Ø 1.8 - 2.8 mm
- number of splices: max. 24 crimp splice protectors, max. 12 shrink splice protectors
- distribution plate Types: SC, LC, E2000, ST
- optional fixing of optical couplers (PLC/FBT) or xWDM (filter/FBT)
- labelling with 2 snap-fits and lead seal
- mounting of gas- or waterblocker for blow fiber system (optional)
- not included in delivery: splice protectors and holder
- for TICNET cable-splitter ODS-Mini

fixing of optical couplers

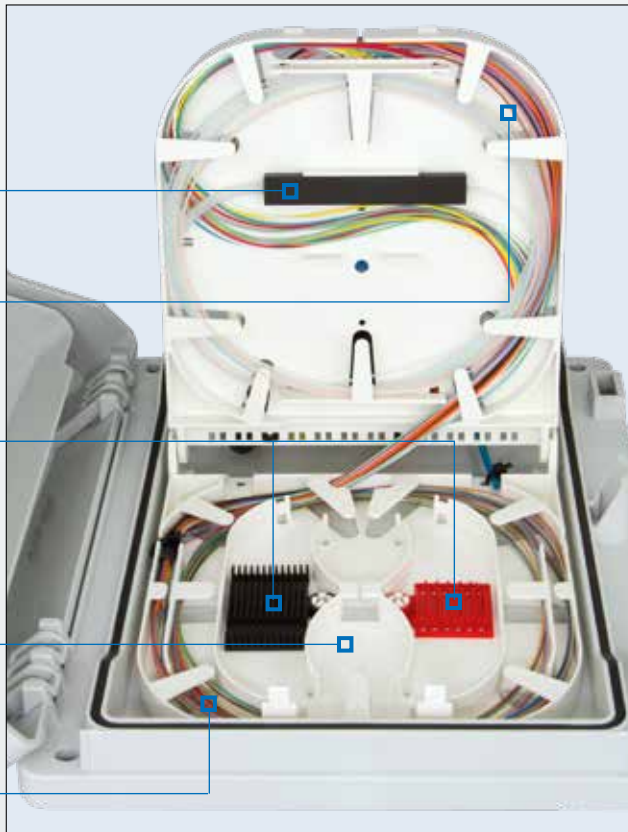
for e.g. FBT/PLC coupler; different xWDM solutions, etc.

loop storage

crimp splice protectors / shrink splice protectors (optional)

reverse cross facility

loop storage



strain relief for FO cables



strain relief for patch cords

mounting of gas/water blocker

Modular Patch Panel

for max. 24 ports: SC, LC, E2000, ST



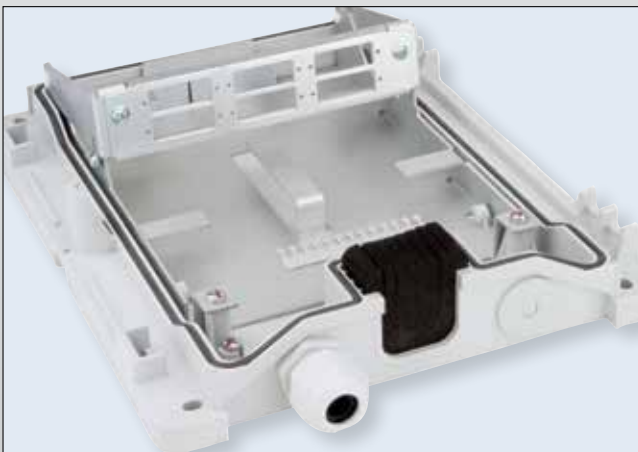
Swivel-Type Cassette

for easy assembly & maintenance



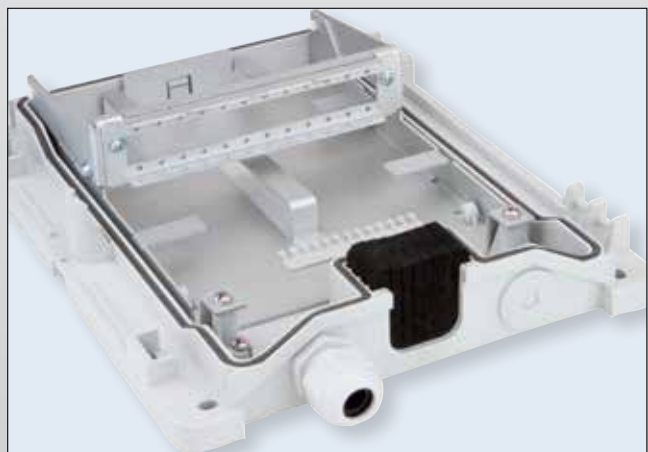
ODB 54 - TICNET

for max. 24 fibers

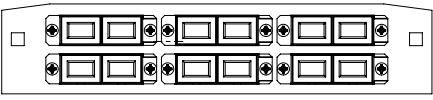


ODB 54 - TICNET

for SC, LC, E2000, ST

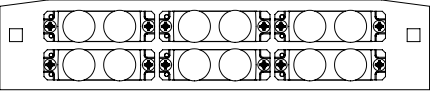


ODB 54 equipped with 6x SC Duplex adaptors, 12 Pigtails

	Order no.	Adaptor/pigtail	Fiber	Type	Colour
	H02050A0191	SC Multimode	50/125	OM2	beige
	H02050A0192	SC Multimode	50/125	OM3	aqua
	H02050A0352	SC Multimode	50/125	OM4	violet
	H02050A0193	SC Singlemode	9/125	OS2	blue
	H02050A0194	SC APC Singlemode	9/125	OS2	green

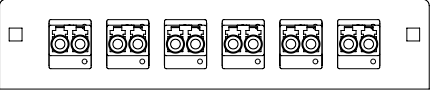
not included in delivery: splice protectors and holder

ODB 54 equipped with 6x ST Duplex adaptors, 12 Pigtails

	Order no.	Adaptor/pigtail	Fiber	Type	Colour
	H02050A0199	ST Multimode	50/125	OM2	silver
	H02050A0200	ST Multimode	50/125	OM3	silver
	H02050A0248	ST Multimode	50/125	OM4	silver
	H02050A0201	ST Singlemode	9/125	OS2	silver

not included in delivery: splice protectors and holder

ODB 54 equipped with 6x LC Duplex adaptors, 12 Pigtails

	Order no.	Adaptor/pigtail	Fiber	Type	Colour
	H02050A0195	LC Multimode	50/125	OM2	beige
	H02050A0196	LC Multimode	50/125	OM3	aqua
	H02050A0353	LC Multimode	50/125	OM4	violet
	H02050A0197	LC Singlemode	9/125	OS2	blue
	H02050A0198	LC APC Singlemode	9/125	OS2	green

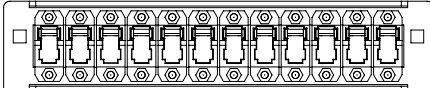
not included in delivery: splice protectors and holder

ODB 54 equipped with 6x LC Quad adaptors, 24 Pigtails

	Order no.	Adaptor/pigtail	Fiber	Type	Colour
	H02050A0255	LC Multimode	50/125	OM2	beige
	H02050A0254	LC Multimode	50/125	OM3	aqua
	H02050A0354	LC Multimode	50/125	OM4	violet
	H02050A0256	LC Singlemode	9/125	OS2	blue
	H02050A0257	LC APC Singlemode	9/125	OS2	green

not included in delivery: splice protectors and holder

ODB 54 equipped with 12x E2000 adaptors, 12 Pigtails

	Order no.	Adaptor/pigtail	Fiber	Type	Colour
	H02050A0202	E2000 Multimode	50/125	OM2	black/orange
	H02050A0203	E2000 Multimode	50/125	OM3	black/orange
	H02050A0205	E2000 APC Singlemode	9/125	OS2	green

not included in delivery: splice protectors and holder

ODB 54 housing equipped with splice cassette

Order no.	Description	Remarks
H02050A0190	Housing ODB 54	for splicing of max. 24 fibers

ODB 54 - TICNET

Order no.	Description	Remarks
H02050A0279	Housing ODB 54 - TICNET	for max. 6 SC Duplex / LC Quad / ST Duplex adaptors
H02050A0280	Housing ODB 54 - TICNET	for max. 6 LC Duplex adaptors
H02050A0281	Housing ODB 54 - TICNET	for max. 12 E2000 adaptors

Assembly

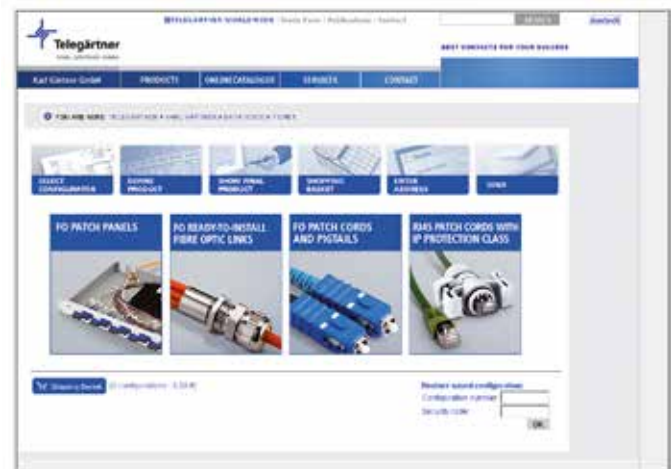
Order no.	Description	Remarks
F08000A0002	Splice holder for 12x crimp splice protectors	System Telekom
F08000A0008	Splice holder for 6x shrink splices	for Ø 3 mm
H01011A0037	Cable gland M20 (for cable Ø 6 - 10 mm)	Polyamide PA6, grey, with strain relief for 150 N min.
H01012A0050	Cable gland M20 (for cable Ø 7 - 13.5 mm)	Polyamide PA6, grey, with strain relief for 150 N min.
H01000A0288	ODB 54 add-on-kit cellular rubber patch cable entry	
R00040A0047	ODB 54 add-on-kit cable tie for gas/water blocker	

Designed to make things simpler for pre-assembled solutions: the TICNET configurator

The TICNET configurator is a convenient and quick way of ordering preassembled cabling components from the factory. Just follow six simple steps to order the product you need:

- 1 Select Type of product
- 2 Define product
- 3 Check final product
- 4 Add product to shopping basket
- 5 Enter address details
- 6 Send inquiry

Whether you need copper or optical fiber products, cables or patch panels, solutions for office buildings, data centers, industrial facilities or home networks: the TICNET configurator service is available around the clock to inquire customised products. Naturally it is also possible to save your configurations.



Easy, quick and reliable: that's Telegärtner
www.telegaertner.com/ticnet

Telegärtner
Karl Gärtner GmbH

Lerchenstr. 35
D-71144 Steinenbronn

Telefon: +49 (0) 71 57 / 1 25-100
Telefax: +49 (0) 71 57 / 1 25-120

E-Mail: info@telegaertner.com
Web: www.telegaertner.com

Your distributor: