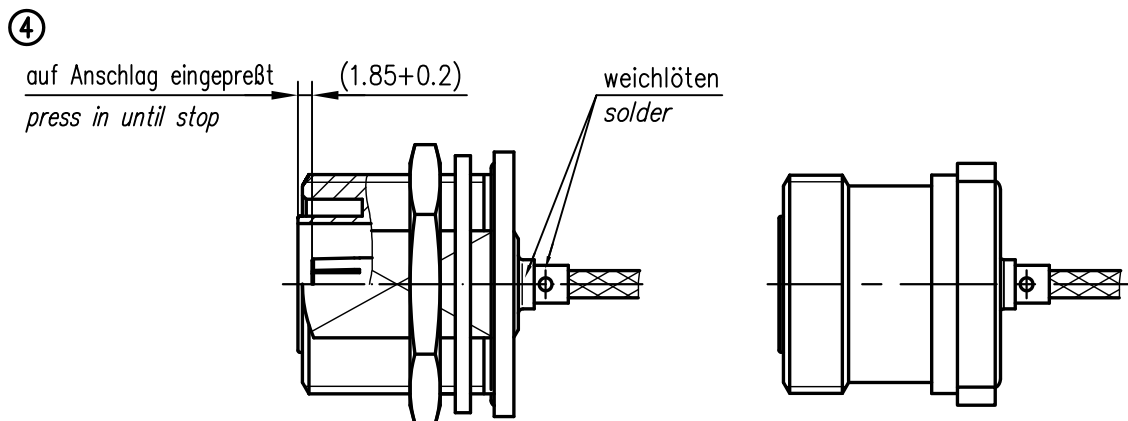
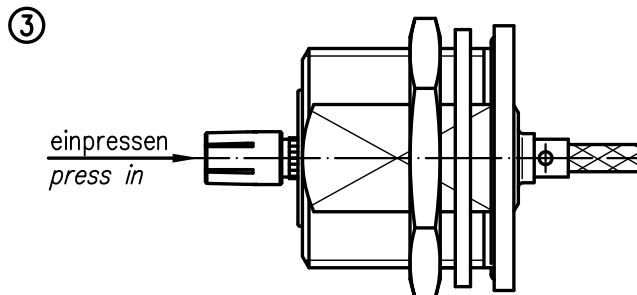
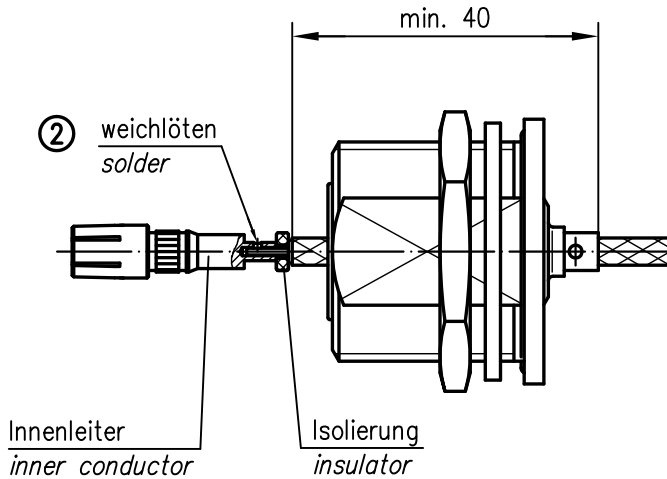
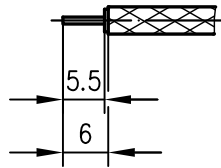


① Abisoliermaße / stripping instruction



| | | | |
|----------------|--------------------------|---------------|--------------|
| b | 23312 | 24.10.11 | BJ |
| a | 13659 | 07.08.02 | PU |
| Index index | Änderung modification | Datum date | Name name |

| | | |
|----------------|---------------|--------------|
| | Datum date | Name name |
| Gez. drawn | 28.08.00 | GJ |
| Gepr. app'd | 29.04.02 | PU |

| | | | |
|----------------------|----|----------------|-----|
| Original original | A4 | Blatt sheet | 1/1 |
|----------------------|----|----------------|-----|

| | |
|------------------|-----|
| Maßstab scale | 1:1 |
|------------------|-----|

Series 7-16 (G10)
Serie 7-16 (G10)

| | |
|----------------|-------------|
| Unterr. Art | TG-Nr. |
| R | T00100B0075 |

Ersatz für/replacement for

