

BEST CONTACTS FOR YOUR SUCCESS



Cat.6A 10 GBE 500 MHz fully shielded 4PPoE design capable REAL-TIME RE-EMBEDDED

Beyond Standards

The AMJ-S Module 2G – the new dimension in connecting hardware with large headroom and ruggedness

The Telegärtner AMJ-S Module 2G

The redefinition of transmission reserve and reliability

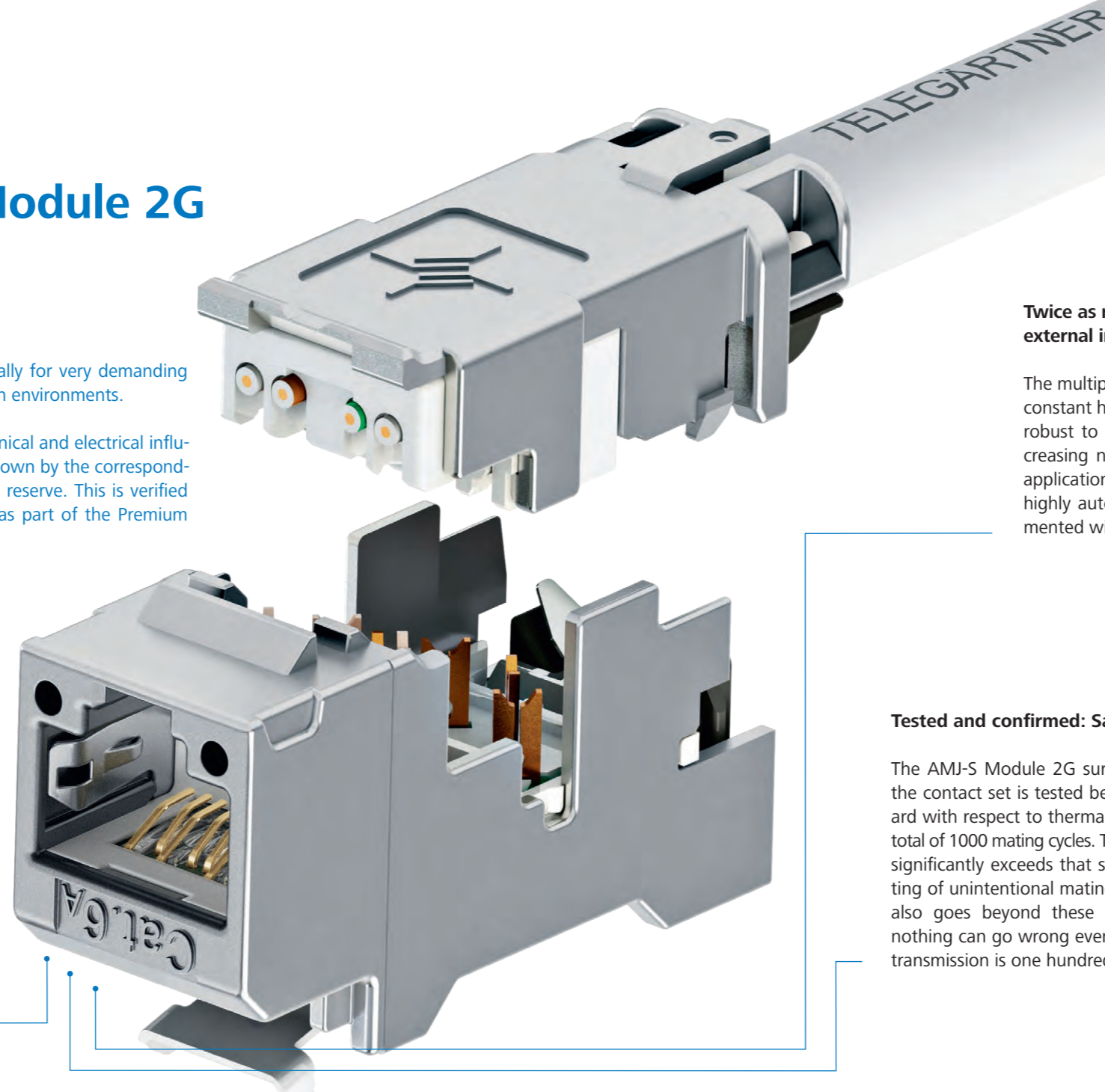
Telegärtner has optimised and redesigned its AMJ-S Module especially for very demanding applications that have to guarantee high reliability in extremely tough environments.

The reworked Module boasts outstanding robustness against mechanical and electrical influences. In addition, its transmission characteristics exceed those laid down by the corresponding standard and it thus provides a significantly higher transmission reserve. This is verified several times a year by GHMT, an independent testing laboratory, as part of the Premium Verification Program.

AMJ-S Module 2G

Equipped for all challenges: Maximum transmission reserve

Thanks to the modified contact design, the transmission characteristics of the module significantly exceed those laid down by the IEC 60603-7-51 design standard and the ISO/IEC 11801 building cabling standard, thereby providing significantly higher reserves. The AMJ-S 2G withstands unforeseeable critical loads without any problems: despite strong external electrical influences or increased stress, for example in installations in confined spaces, reliable transmission is thus guaranteed.



AMJ-S Module 2G

Twice as robust: No chance for mechanical or electrical external influences

The multiple shielding connection in the mating face guarantees constant high level shielding. This makes the Module particularly robust to vibrations, swings and electrical noise fields. The increasing number of data connection points in industry-related applications, for example in automated picking warehouses or highly automated production facilities, can therefore be implemented without problems.

AMJ-S Module 2G

Tested and confirmed: Safe to use and resilient

The AMJ-S Module 2G surmounts all adversities. For example, the contact set is tested beyond the requirements of the standard with respect to thermal shock and moist heat exposure in a total of 1000 mating cycles. The robustness of the AMJ-S Module 2G significantly exceeds that specified in the standards. 4PPoE testing of unintentional mating and unmating under electrical load also goes beyond these requirements. This guarantees that nothing can go wrong even in hectic working conditions – data transmission is one hundred percent guaranteed!



The AMJ-S series: Proven and unbeatably easy to install

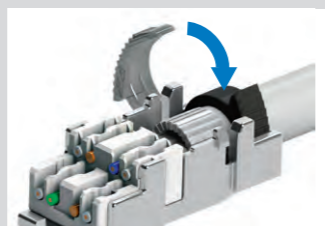
Our new AMJ-S Module 2G is also consistently aligned with everyday assembly conditions: a robust zinc diecast housing plus well thought-out solutions.

The practical Keystone format (19.3 x 14.7 mm) allows the module to be integrated into existing AMJ module carriers and easily combined with covers from other switching programs.



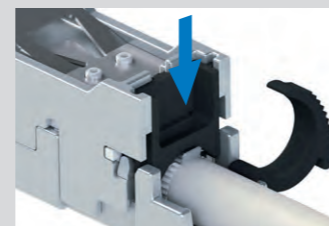
Equipotential bonding

AMJ-S modules can be directly connected to the panel connector using equipotential bonding cable.



Intelligently integrated: fine-graded cable strain relief

The captive cable relief is finely adjustable for cable diameters from 5 to 9 mm and can be easily opened and closed as required.



Precisely installed: integrated 360° shield connection

The integrated shield connection with finely-grained latching can be adjusted to the cable diameter in next to no time. Its large diameter range makes it suitable for use with cables ranging from 5 to 9 mm.



Simple & fast: the Cat.6A wire management

Thanks to the intuitive wire management, wires can be fitted quickly and easily. The full-metal shield between the wire pairs ensures secure data communication at all times.



Professional pressing: IDC termination

IDC terminations at an angle of 45° to the wire's longitudinal axis guarantee reliable contact and high tensile strength for solid conductors between AWG26/1 and AWG22/1 and flexible conductors between AWG27/7 and AWG22/7.



Simple assembly without special tools

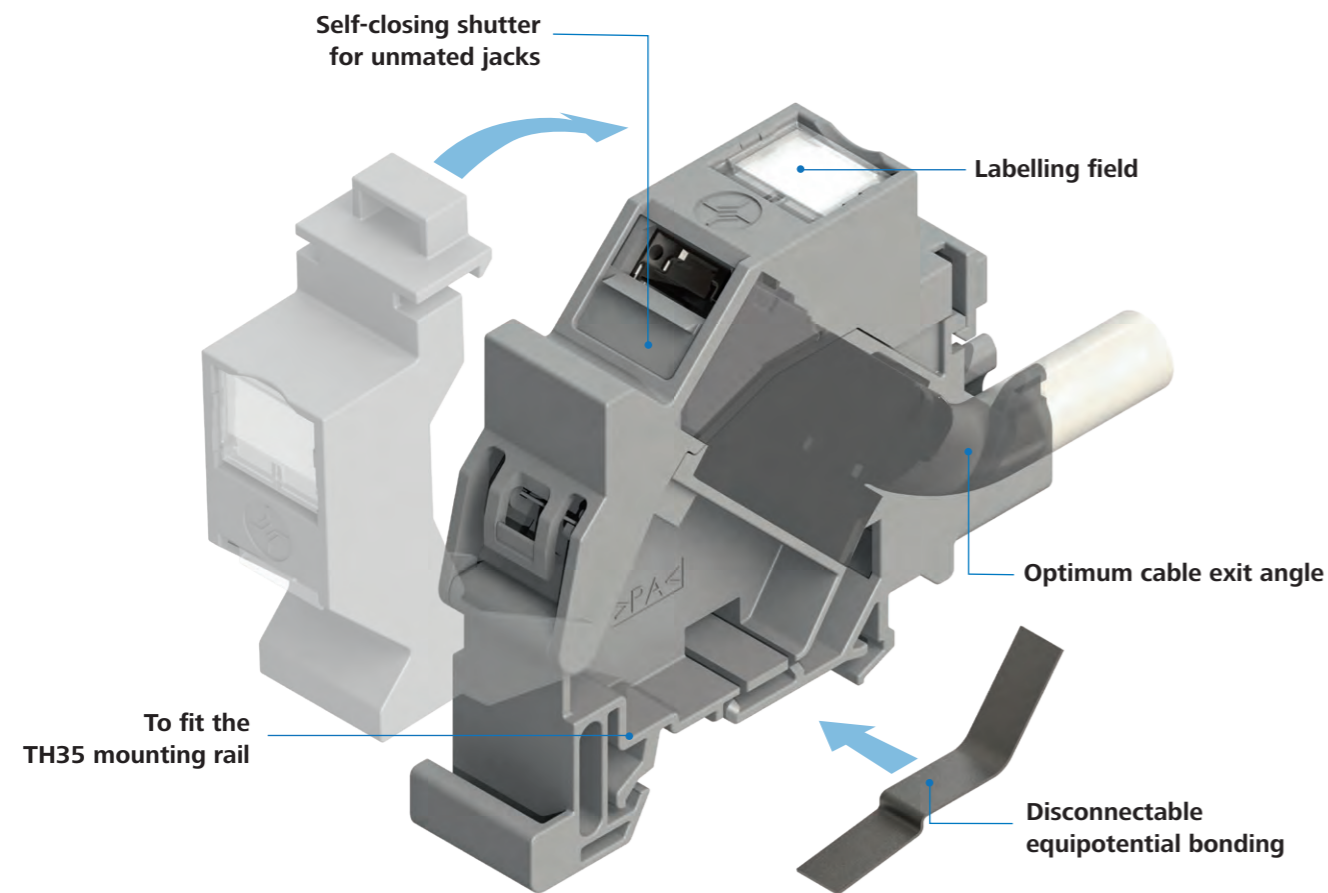
The AMJ-S 2G only comprises two mechanically coded parts which can be easily pressed together without special tools and with little effort. Their design ensures they cannot be connected the wrong way round.



Standardised design

Cat.6A jack according to ISO/IEC 11801 with the proven Telegärtner contact overbending protection. Standardised mating face according to IEC 60603-7-51. Design-capable module carrier suitable for use with switching programs of all well-known manufacturers.

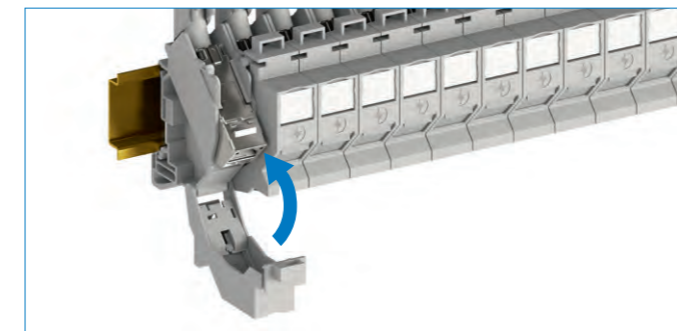
Slim design More application possibilities



TS45 mounting rail outlet in multimedia distributor

Cabinets were previously equipped exclusively for energy sub-distributions. With the new TS45 mounting rail outlet from Telegärtner they can be upgraded to a multimedia distributor for housing and utility buildings. This is done by simply inserting the AMJ-S Module into the mounting rail outlet housing and clipping it onto the TH35 mounting rail. This makes structured wiring in the multimedia distributor child's play. With the introduction of the new VDE-AR-N 4101:2011-8 Code of Practice came the need to provide a data network interface

for metering facilities in low voltage system to monitor power consumption and period of use meters (smart meters). This is required to ensure the Energy Industry Act (EnWG 2012) for modular metering systems are met. Thanks to the TS45, the connection to the data network can be installed on the TH35 top hat rail in the metering facility in a standard-compliant and space-saving manner, thereby making it a further essential component of structured cabling in residential buildings (DIN EN 50173-4).



The height of the TS45 and the cabinet are optimally matched. The AMJ-S Module is installed so that the patch cord's latch protection can be operated from above.



Hinged front cover for easy installation of the AMJ-S Module

19" frontplate and mini distributor

The AMJ-S Module with Keystone mounting cut-out (19.3 x 14.7 mm) fits all Telegärtner 19" frontplates, as well as MPD6, MPD8, MPD12, MPD16 and MPD24 mini distributors.

Packing density in the 19" frontplates:

- 24 or 48 ports in 1 HU
- 48 ports in 1.5 HU


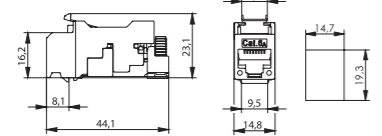

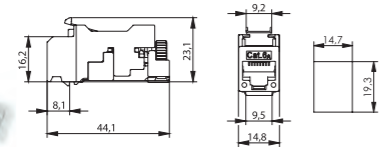

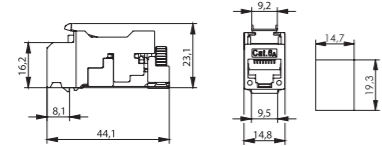


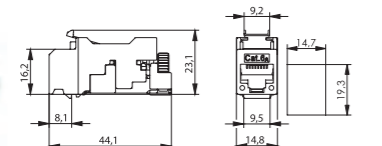

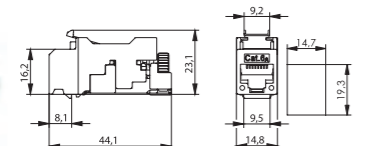


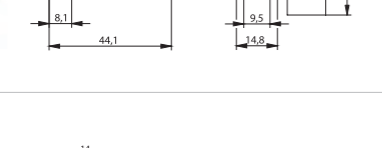

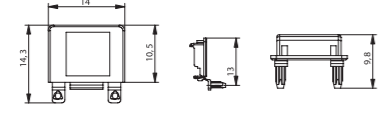



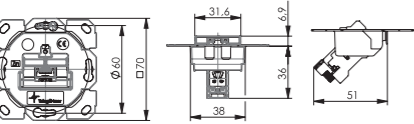

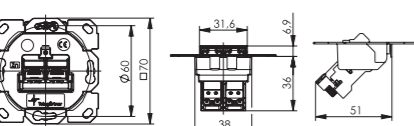

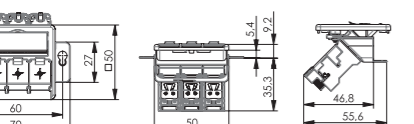
Outlet with universal module carrier

Thanks to its slim design, the AMJ-S Module can easily be combined with switch covers from various manufacturers. The Telegärtner module carrier enables use of both field-proven AMJ45 faceplates and UAE faceplates. This provides network professionals with undreamed-of ways of carrying out their daily work.


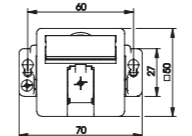

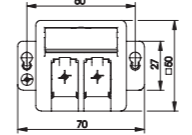

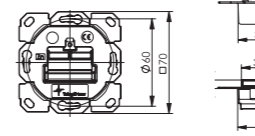

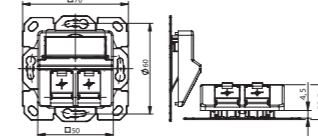

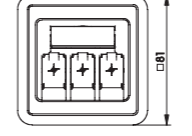

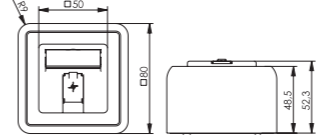

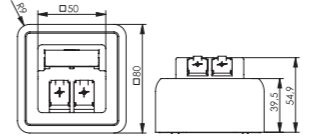

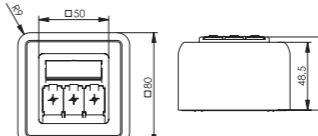

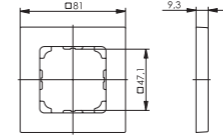

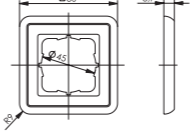



It goes without saying that the AMJ-S Module also fits into Telegärtner's field-proven single/double/triple gang module carriers.



| Module | Order no. | Description | PU* | Colour |
|---|--|--|--|----------|
|   | J00029A2000 | AMJ-S Module Cat.6 _A T568A, tool-free connection concept, suitable for RJ45/11/12 plugs | 12 | |
| | J00029A2001 | AMJ-S Module Cat.6 _A T568B, tool-free connection concept, suitable for RJ45/11/12 plugs | 12 | |
|   | J00029A2110 | AMJ-S Module Cat.6 _A T568A, tool-free connection concept, blister package, suitable for RJ45/11/12 plugs | 24 | |
| | J00029A2111 | AMJ-S Module Cat.6 _A T568B, tool-free connection concept, blister package, suitable for RJ45/11/12 plugs | 24 | |
| AMJ-S Module 2G   | J00029A3000 | AMJ-S Module 2G Cat.6 _A T568A, tool-free connection concept, suitable for RJ45/11/12 plugs | 12 | |
|    | J00029A3001 | AMJ-S Module 2G Cat.6 _A T568B, tool-free connection concept, suitable for RJ45/11/12 plugs | 12 | |
| AMJ-S Module 2G   | J00029A3110 | AMJ-S Module 2G Cat.6 _A T568A, tool-free connection concept, blister package, suitable for RJ45/11/12 plugs | 24 | |
| |    | J00029A3111 | AMJ-S Module 2G Cat.6 _A T568B, tool-free connection concept, blister package, suitable for RJ45/11/12 plugs | 24 |
|   | B00001A0016W | Retrofit shutter | 100 | ● black |
| | B00001B0016W | Retrofit shutter | 100 | ● orange |
| | B00001C0016W | Retrofit shutter | 100 | ● green |
| | B00001D0016W | Retrofit shutter | 100 | ● blue |
| | B00001E0016W | Retrofit shutter | 100 | ● yellow |

| Available in a set with AMJ-S | Order no. | Description | PU* | Colour |
|---|-------------|---|-----|----------------|
|   | J00020A0514 | Design-capable module carrier AMJ-S single gang UP/0 flex C/U** incl. 1 AMJ-S Module Cat.6 _A T568A For flush-mounting installation special electronics boxes are required | 5 | |
| | J00020A0515 | Design-capable module carrier AMJ-S single gang UP/0 flex C/U** incl. 1 AMJ-S Module Cat.6 _A T568B For flush-mounting installation special electronics boxes are required | 5 | |
|   | J00020A0510 | Design-capable module carrier AMJ-S double gang UP/0 flex C/U** incl. 2 AMJ-S Modules Cat.6 _A T568A For flush-mounting installation special electronics boxes are required | 5 | |
| | J00020A0511 | Design-capable module carrier AMJ-S double gang UP/0 flex C/U** incl. 2 AMJ-S Modules Cat.6 _A T568B For flush-mounting installation special electronics boxes are required | 5 | |
|   | J00020A0512 | Design-capable module carrier AMJ-S triple gang UP/50 flex C/U** incl. 3 AMJ-S Modules Cat.6 _A T568A Not for use in flush-mounting boxes with installation opening of 58 mm | 5 | ○ alpine white |
| | J00020A0513 | Design-capable module carrier AMJ-S triple gang UP/50 flex C/U** incl. 3 AMJ-S Modules Cat.6 _A T568B Not for use in flush-mounting boxes with installation opening of 58 mm | 5 | ○ alpine white |

*PU=Packaging Unit **C/U=Cable duct mounting / Underfloor ***MC= Includes frontplate, labelling field and shutter **** for J00020A0510/11/14/15

| Carriers and accessories for cable duct / surface mounting | Order no. | Description | PU* | Colour |
|---|--------------|---|-----|----------------|
|   | H02010A0079 | Faceplate 50x50, single gang UP/50 C/U**, non-populated, MC*** For flush-mounting installation special electronics boxes are required | 5 | ○ alpine white |
|   | H02010A0081 | Faceplate 50x50, double gang UP/50 C/U**, non populated, MC*** For flush-mounting installation special electronics boxes are required | 5 | ○ alpine white |
|   | H02010B0085 | Design-capable module carrier AMJ-S UP/0 flex, non-populated, single / double gang; for switch covers from various manufacturers | 10 | |
|   | H02010A0083 | Faceplate 50x50, surface-mounted, double gang UP/50 C/U**, non-populated, MC***, for flush mounting For flush-mounting installation special electronics boxes are required | 5 | ○ alpine white |
|   | H02010A0053 | Faceplate 80x80, triple gang, cable duct mounting, non-populated, MC*** | 5 | ○ alpine white |
|   | H02000A0090 | Faceplate 80x80, single gang, surface-mounted, non-populated | 5 | ○ alpine white |
|   | H02000A0092 | Faceplate 80x80, double gang, surface-mounted, non-populated | 5 | ○ alpine white |
|   | H02000A0096 | Module carrier 80x80, triple gang, surface-mounted, non-populated | 5 | ○ alpine white |
|   | B00004A0024 | Single cover frame, 81x81, for J00020A0510-15 | 10 | ○ alpine white |
|   | B00004A0021Y | Single cover frame, 80x80 | 5 | ○ alpine white |
|   | B00005A0009Y | Double cover frame, 80x151 | 5 | ○ alpine white |
|  | F00020A0113 | Faceplate 50x50 double**** | 10 | ○ alpine white |
| | F00020A0123 | Faceplate 50x50 single**** | 10 | ○ alpine white |

*PU=Packaging Unit **C/U=Cable Duct Mounting/Underfloor ***MC= Includes frontplate, labelling field and shutter **** for J00020A0510/11/14/15

| Frontplate without modules/couplers | Order no. | Description | PU* | Colour |
|-------------------------------------|-------------|---|-----|---|
| | H02000A0103 | MPD8 AMJ/UMJ TH35/surface mounted distributor for 8 AMJ/UMJ Modules / Couplers, non-populated, can be mounted on TH35 mounting rail without additional adapters | 1 | ○ alpine white |
| | H02000A0106 | MPD12 AMJ/UMJ TH35/surface mounted distributor for 12 AMJ/UMJ Modules / Couplers, non-populated, can be mounted on TH35 mounting rail without additional adapters | 1 | ○ alpine white |
| | H02000A0107 | MPD16 AMJ/UMJ TH35/surface mounted distributor for 16 AMJ/UMJ Modules / Couplers, non-populated, can be mounted on TH35 mounting rail without additional adapters | 1 | ○ alpine white |
| | H02025A0260 | MPD24 AMJ/UMJ surface mounted distributor for 24 AMJ/UMJ Modules / Couplers, non-populated, robust metal design, incl. brushes to prevent dust intrusion | 1 | ○ pure white 9010 |
| | H02025A0234 | 19"-Frontplate Flex 1 HU incl. 24x snap-in bezels for 24 AMJ / AMJ-S Modules / AMJ Couplers, incl. SPA***** 0.3 m and cable management | 1 | frontplate: ● light grey, faceplate: ○ alpine white |
| | H02025A0167 | 19"-Frontplate 1 HU with cable relief for 24 AMJ-S/AMJ/UMJ Modules / Couplers, incl. SPA***** 0.3 m | 1 | ● light grey RAL 7035 |
| | H02025A0220 | 19"-Frontplate 1 HU with cable relief for 24 AMJ-S/AMJ/UMJ Modules / Couplers, incl. SPA***** 0.3 m | 1 | ● black |
| | H02025A0171 | 19"-Frontplate 1.5 HU with cable relief for 48 AMJ-S/AMJ/UMJ Modules / Couplers, incl. SPA***** 0.3 m | 1 | ● light grey RAL 7035 |
| | H02025A0197 | 19"-Frontplate 1 HU without cable relief for 24 AMJ-S/AMJ/UMJ Modules / Couplers | 1 | ● light grey RAL 7035 |
| | H02025A0221 | 19"-Frontplate 1 HU without cable relief for 24 AMJ-S/AMJ/UMJ Modules / Couplers | 1 | ● black |
| | H02025A0236 | 19"-Frontplate 1 HU for 48 AMJ-S Modules, non-populated, with cable relief incl. SPA***** 0.3 m | 1 | ● zinc-plated steel |
| | H02025A0233 | Frontplate 3 HU / 7 PU for 6 AMJ-S Modules | 1 | ● aluminium |

| Mounting Rail Outlet | Order no. | Description | PU* | Colour |
|----------------------|-------------|---|-----|-----------------------|
| | J00023A0205 | TS45 AMJ-S mounting rail outlet for TH35 mounting rail, incl. AMJ-S Module Cat.6 _A T568A | 1 | ● light grey RAL 7035 |
| | J00023A0206 | TS45 AMJ-S mounting rail outlet for TH35 mounting rail, incl. AMJ-S Module Cat.6 _A T568B | 1 | ● light grey RAL 7035 |
| | H02000A0086 | TS45 AMJ-S mounting rail outlet for TH35 mounting rail, non-populated | 1 | ● light grey RAL 7035 |

*PU=Packaging Unit ***** Set for equipotential bonding

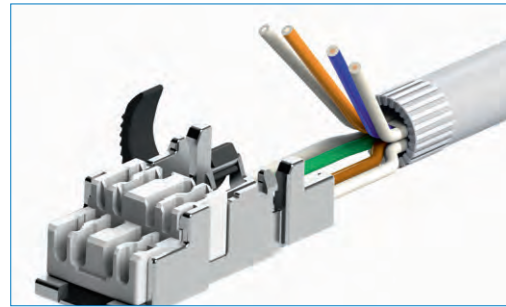
| Accessories | Order no. | Description | PU* | Colour |
|-------------|-------------|--|-----|---------|
| | H01011A0048 | Cable guiding set for 24 cables. Suitable for H02025A0171 and H02025A0260 frontplates | 4 | ● black |
| | N00000B0020 | Auxiliary tool for the assembly of AMJ / AMJ-S / UMJ / STX / MFP8 | 1 | |
| | L00040A0009 | Set for equipotential bonding, with cable 4 mm ² , screw and serrated lock washer, length 0.3 m | 1 | |

| Installation cable | Order no. | Description | Length |
|--------------------|-------------|--|--------|
| | L02002A0180 | Installation cable AMJ1000 S/FTP Cat.7 LSZH, 4x2xAWG23/1 | 1000 m |
| | L02002A0181 | Installation cable AMJ1000 S/FTP Cat.7 LSZH, 4x2xAWG23/1 | 500 m |
| | L02002A0182 | Installation cable AMJ1000 S/FTP Cat.7 LSZH, duplex 2x(4x2xAWG23/1) | 500 m |
| | L02002A0183 | Installation cable AMJ1300 S/FTP Cat.7 _A LSZH, 4x2xAWG23/1 | 1000 m |
| | L02002A0184 | Installation cable AMJ1300 S/FTP Cat.7 _A LSZH, 4x2xAWG23/1 | 500 m |
| | L02002A0185 | Installation cable AMJ1300 S/FTP Cat.7 _A LSZH, duplex 2x(4x2xAWG23/1) | 500 m |
| | L02002A0213 | Installation cable AMJ1600 S/FTP Cat.7 _A LSZH, 4x2xAWG22/1 | 1000m |
| | L02002A0214 | Installation cable AMJ1600 S/FTP Cat.7 _A LSZH, 4x2xAWG22/1 | 500m |

| Patch Cords MP8 FS 500 Cat.6 _A S/FTP 4x2xAWG27/7 LSZH | | | | | | | | |
|--|-------------|-------------|-------------|-------------|-------------|-------------|-------------|--------|
| Order no. | ● | ● | ● | ● | ● | ● | ● | ○ |
| 90° | grey | green | red | blue | yellow | black | white | Length |
| | L00000A0189 | L00000A0193 | L00000A0195 | L00000A0197 | L00000A0199 | L00000A0201 | L00000A0203 | 0,5 m |
| | L00000A0192 | L00000A0194 | L00000A0196 | L00000A0198 | L00000A0200 | L00000A0202 | L00000A0204 | 1,0 m |
| | L00001A0155 | L00001A0156 | L00001A0157 | L00001A0159 | L00001A0162 | L00001A0163 | L00001A0164 | 2,0 m |
| | L00002A0173 | L00002A0174 | L00002A0176 | L00002A0177 | L00002A0179 | L00002A0175 | L00002A0180 | 3,0 m |
| | L00003A0119 | L00003A0121 | L00003A0123 | L00003A0124 | L00003A0125 | L00003A0126 | L00003A0127 | 5,0 m |
| | L00004A0109 | L00004A0111 | L00004A0112 | L00004A0113 | L00004A0114 | L00004A0115 | L00004A0116 | 7,5 m |
| | L00005A0080 | L00005A0081 | L00005A0082 | L00005A0083 | L00005A0084 | L00005A0085 | L00005A0086 | 10,0 m |
| | L00000A0072 | L00000A0073 | L00000A0074 | L00000A0075 | L00000A0076 | L00000A0077 | L00000A0130 | 0,5 m |
| | L00000A0081 | L00000A0082 | L00000A0083 | L00000A0084 | L00000A0085 | L00000A0086 | L00000A0131 | 1,0 m |
| | L00001A0084 | L00001A0085 | L00001A0086 | L00001A0087 | L00001A0088 | L00001A0089 | L00001A0123 | 2,0 m |
| | L00002A0112 | L00002A0113 | L00002A0114 | L00002A0115 | L00002A0116 | L00002A0117 | L00002A0141 | 3,0 m |
| | L00003A0055 | L00003A0056 | L00003A0057 | L00003A0058 | L00003A0059 | L00003A0060 | L00003A0085 | 5,0 m |
| | L00004A0054 | L00004A0055 | L00004A0056 | L00004A0057 | L00004A0058 | L00004A0060 | L00004A0071 | 7,5 m |
| | L00005A0027 | L00005A0028 | L00005A0029 | L00005A0030 | L00005A0031 | L00005A0032 | L00005A0051 | 10,0 m |
| | L00000A0253 | | | | | | | |
| L00000A0254 | | | | | | | | 1,0 m |
| L00001A0199 | | | | | | | | 2,0 m |
| L00002A0203 | | | | | | | | 3,0 m |
| L00003A0157 | | | | | | | | 5,0 m |
| L00004A0145 | | | | | | | | 7,5 m |
| L00005A0113 | | | | | | | | 10,0 m |

*PU=Packaging Unit ***** Set for equipotential bonding

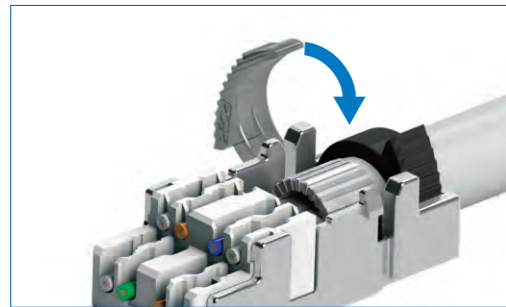
Less fuss Easier installation



1 Integrated wire management

- Remove cable jacket, fold braid shield backwards, pre-sort and untwist wire pairs and insert them into the wire manager.

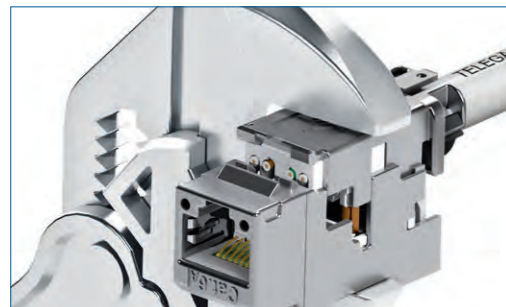
INSTALLATION ADVANTAGE: The coloured wire of the wire pair is ALWAYS on the inside



2 Fine-graded cable relief

- Fix cable relief with the clip. It adapts perfectly to the respective cable diameter.
- Cut off excess length.

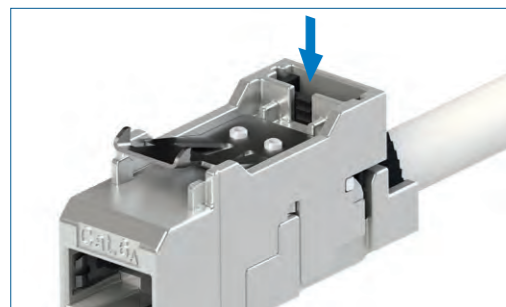
INSTALLATION ADVANTAGE: NO lose parts, NO cable ties, always fits the data cable that is used



3 Fast housing assembly

- Place the cover on the housing: Guides on the housing of the wire manager ensure easy joining to the housing.
- Press the module parts together with a pair of pliers.

INSTALLATION ADVANTAGE: NO special tools required

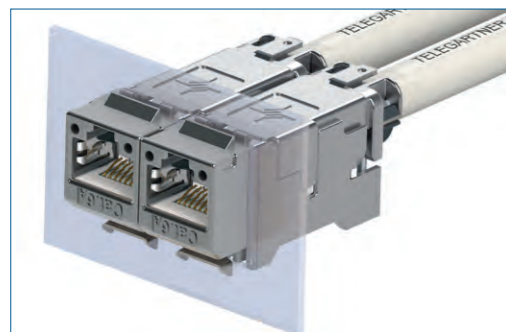


4 Simple 360° shield connection

- Actuate slide for 360° shield connection.

INSTALLATION ADVANTAGE:

- Integrated assembly part for secure connection, no parts that can get lost
- Higher spring force of the metal snap-in hook for very robust assembly in diverse applications
- Unique metal snap-in hook with sawtooth profile for low-resistance shielding connection to the equipotential bonding connector



5 Versatile application possibilities

- TS45 mounting rail outlet
- Outlet
- 19"-frontplate
- TOC IP68 outdoor connector

Technical Data:

| | |
|--|--|
| Dimension: | L 44,1 x W 14,8 x H 23,1 mm |
| Installation dimension: | 19,3 x 14,7 mm (Keystone format) |
| Cu-conductor diameter: | 0,41 – 0,64 mm / AWG26/1-22/1 0,46 – 0,76 mm / AWG27/7-22/7 |
| Mating cycles: | min. 750 |
| Material: housing: | zinc diecast nickel-plated |
| Material: contact finish: | Ni1,2Au0,8 |
| Wire diameter: | 0,9 – 1,6 mm |
| Cable diameter: | 5 – 9 mm |
| Reusable IDC for AWG22/1 and 22/7: | ≤ 4 cycles |
| Reusable IDC for AWG23/1 and 26/1: | ≤ 4 cycles |
| Reusable IDC for AWG24/7 and 27/7: | ≤ 10 cycles |
| Ambient temperature: | -40 °C to +85 °C |
| 10 Gigabit Ethernet according to IEEE 802.3an: | Suitable for 10 Gigabit Ethernet |
| Category 6 _A (Component): | ISO/IEC 11801; DIN EN 50173-1 |
| Class E _A (Permanent Link): | ISO/IEC 11801; DIN EN 50173-1 |
| Class E _A (Channel): | ISO/IEC 11801; DIN EN 50173-1 |

PoE+ according to IEEE 802.3at

UL listed: E244889 for

- AMJ-S order numbers J00029A2000 , J00029A2001 , J00029A2110, J00029A2111

4PPoE according to IEEE 802.3bt

- AMJ-S 2G order numbers J00029A3000, J00029A3001, J00029A3110, J00029A3111

Real-Time Re-Embedded Cat.6_A

With an 8-port network analyzer with implemented re-embedding calculation method, the real-time re-embedded measurement set-up provides real-time evaluation of the connecting hardware. This means the impact of changes to measuring targets can be evaluated in real-time. The very time-consuming measurement of all pair combinations is therefore no longer necessary.

**REAL-TIME
RE-EMBEDDED**

DataVoice PLUS25 system warranty

Telegärtner quality guaranteed:
25-year warranty for the cabling components and the whole cabling link, assuming Telegärtner system cables are used

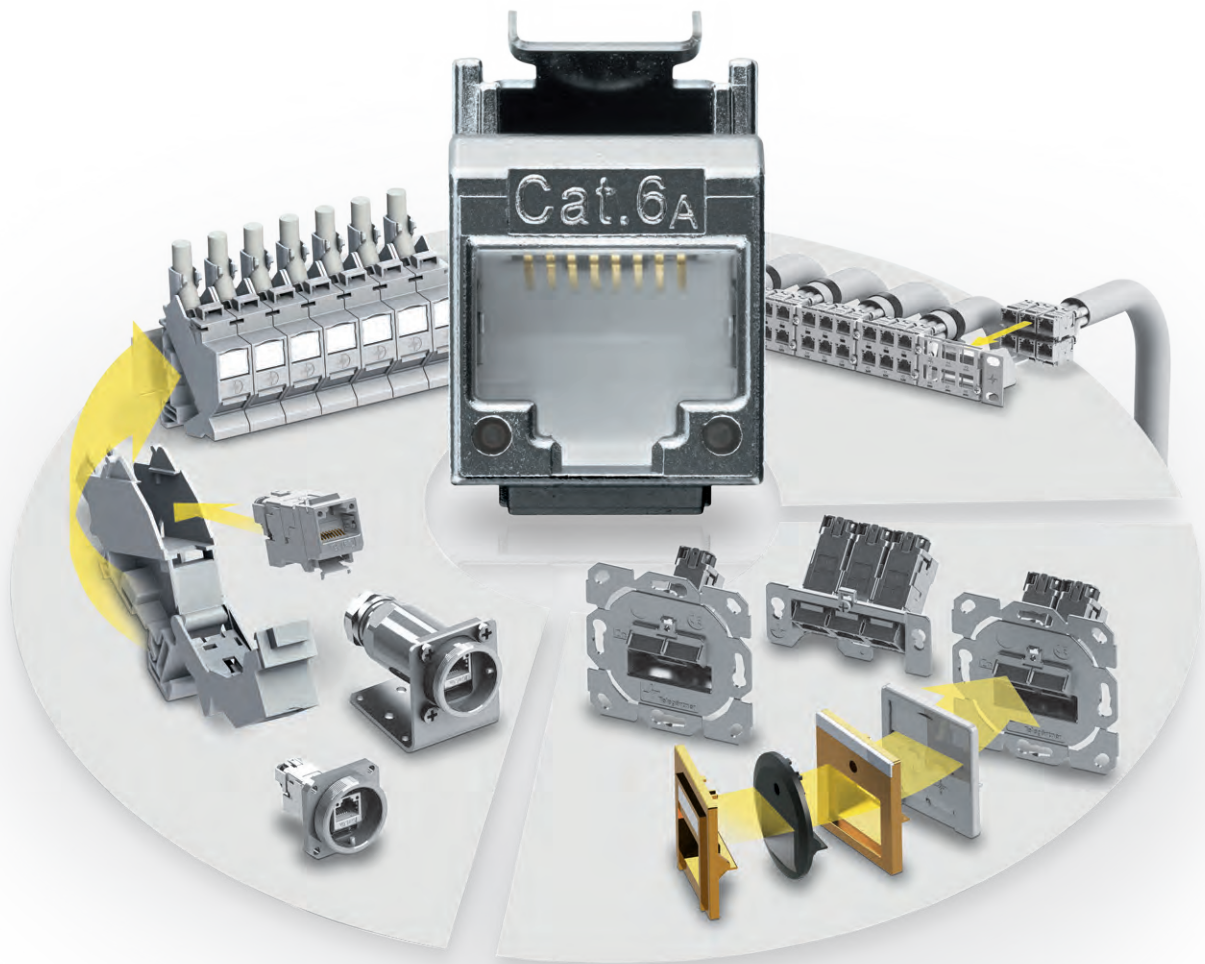
More information about the Telegärtner warranty programme at:

www.telegaertner.com

The collage shows three documents: a 'DataVoice PLUS 25 WARRANTY DOCUMENT' with a 25-year extended warranty, a 'GHMT PREMIUM Certificate' for a Connector Permanent Link, and a 'GHMT Certificate' for a Connector Permanent Link, both with GHMT Type Approval.

One module – many possibilities

Delivery within 24 hours



Cat.6_A

10 GBE

500
MHz

fully
shielded

4PPoE

design
capable

REAL-TIME
RE-EMBEDDED

Telegärtner
Karl Gärtner GmbH

Lerchenstr. 35
D-71144 Steinenbronn

Tel.: +49 (0) 71 57/1 25-0
Fax: +49 (0) 71 57/1 25-5120

Email: info@telegaertner.com
Web: www.telegaertner.com



All the products that are mentioned in the brochure can be delivered within 24 hours ex works. This means that your short-term needs are covered, too.